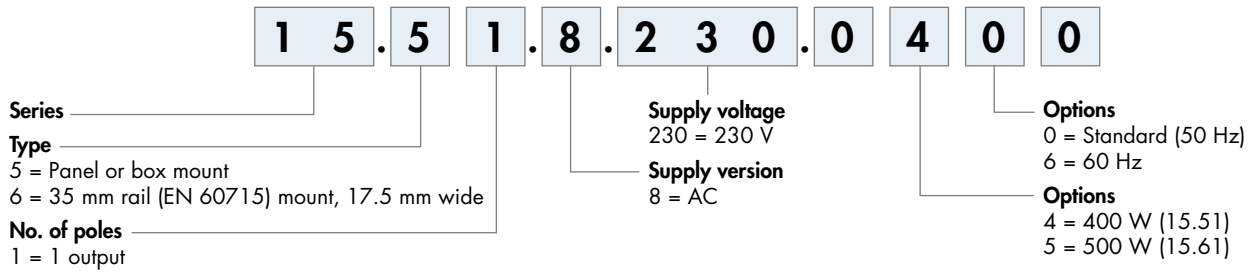


Ordering information

Example: type 15.51, electronic step relay and dimmer, 230 V AC.



Technical data

Other data	15.51	15.61
Power lost to the environment		
without load	W 0.7	0.8
with rated load	W 2.2	2.0
Max cable length for push-button connection m	100	100
Other data		
Max. wire size	solid cable	stranded cable
	mm ² 1x6 / 2x4	1x4 / 2x2.5
	AWG 1x10 / 2x12	1x12 / 2x14
Screw torque	Nm 0.8	0.8

Thermal protection and signalling

LED (type 15.61 only)	Supply voltage	Thermal protection
	OFF	—
	ON	—
	ON	ALARM

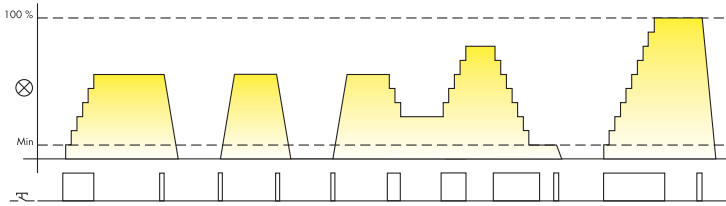
ALARM

The internal thermal protection will detect an unsafe temperature, due to overload or incorrect installation, and will turn the dimmer output off.

It is possible to turn the dimmer on, by push button, only when the temperature reduces to a safe level (after 1 to 10 minutes, depending on installation conditions) and after removing the cause of the overload.

Operating modes

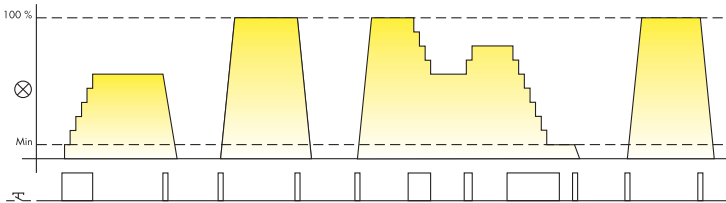
Operating mode 1 (with memory): the previous light level is memorized.



Long control pulse: The light level is progressively raised or lowered through a maximum of 10 incremental steps.

Short control pulse: Alternately switches between On and Off. When switching On, the light level assumes the value set during the previous On state.

Operating mode 2 (without memory): on switch off, the light level is not memorized.



Long control pulse: The light level is progressively raised or lowered through a maximum of 10 incremental steps.

Short control pulse: Alternately switches On or Off between the maximum light level and the off state.

Operating mode setup.

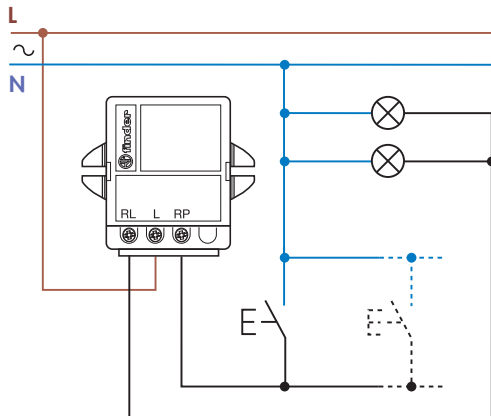
On 15.61 it is possible to select the required operating mode using the front selector.

On 15.51 operating mode 1 is preset, but it is possible to change it using the following sequence:

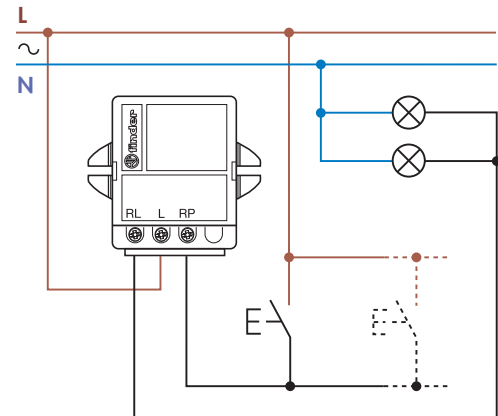
- remove the supply voltage;
 - press the control button;
 - apply the supply to the relay, keeping the button closed for 3 second;
 - On button release, the light will flash twice to indicate the selection of operating mode 2, or flash once for operating mode 1.
- Repeating the above steps will alternately change between operating modes.

Wiring diagrams

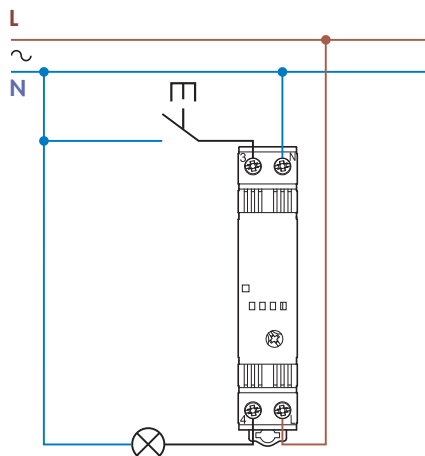
Type 15.51 - 3 wire connection



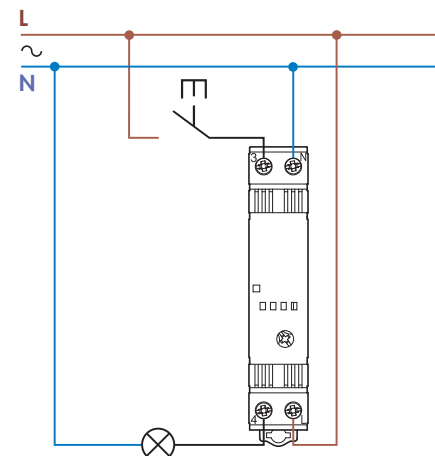
Type 15.51 - 4 wire connection



Type 15.61 - 3 wire connection



Type 15.61 - 4 wire connection



Accessories



020.01

Adaptor for panel mounting for type 15.61, 17.5 mm wide | 020.01



060.72

Sheet of marker tags for type 15.61, plastic, 72 tags, 6x12 mm | 060.72